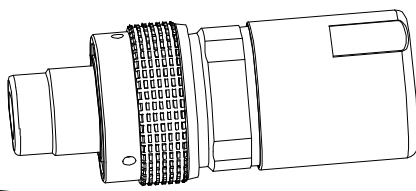
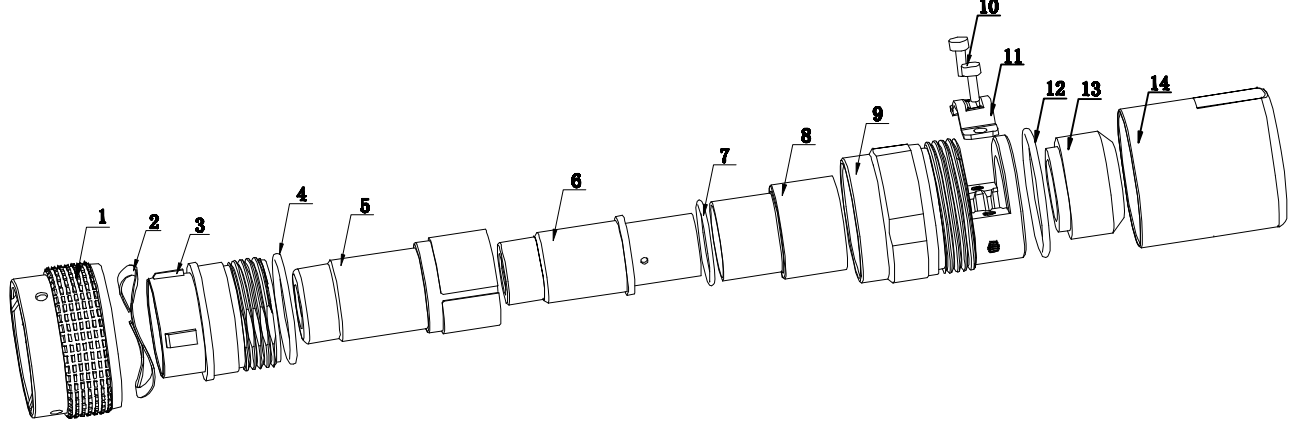
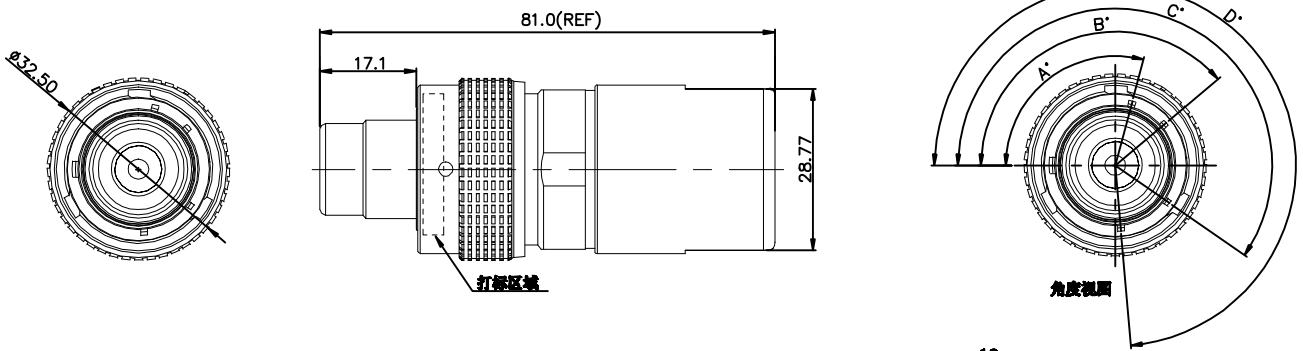


NO	PN	Key	16# Kits	16# Housing	Cable Spec	Adaptation
1	X01-P01-H1601-Z0A	Z	X01-P01-H1605-004	X01-P01-H1601-Z01	25mm ²	X01-P01-H1625-007 X01-P01-H1601-G25 X01-P01-H1601-25H X01-P01-H1625-01H
2	X01-P01-H1601-Y0A	Y	X01-P01-H1604-004	X01-P01-H1601-Y01		
3	X01-P01-H1601-X0A	X	X01-P01-H1603-004	X01-P01-H1601-X01		
4	X01-P01-H1601-W0A	W	X01-P01-H1602-004	X01-P01-H1601-W01		
5	X01-P01-H1601-N0A	N	X01-P01-H1601-004	X01-P01-H1601-N01	35mm ²	X01-P01-H1635-007 X01-P01-H1601-G25 X01-P01-H1601-35H X01-P01-H1635-01H
6	X01-P01-H1601-Z0B	Z	X01-P01-H1605-004	X01-P01-H1601-Z01		
7	X01-P01-H1601-Y0B	Y	X01-P01-H1604-004	X01-P01-H1601-Y01		
8	X01-P01-H1601-X0B	X	X01-P01-H1603-004	X01-P01-H1601-X01		
9	X01-P01-H1601-W0B	W	X01-P01-H1602-004	X01-P01-H1601-W01		
10	X01-P01-H1601-N0B	N	X01-P01-H1601-004	X01-P01-H1601-N01		

ECN NO.	REV	DATE	DESCRIPTION	MDF'D	APP'D
	A0	2022.6.8	Initial version	ZsH	Qilin



- Technical requirements:
- Material:
 - Contact: a. copper alloy/silver plated;
 - Shell: PA66+GF, flame retardant grade UL94-V0;
 - Waterproof parts: NE-1340 silicone rubber;
 - Rated voltage: 1000V DC;
 - Rated current: 150A max
 - Withstand voltage: 3000V AC
 - Insulation resistance:>2000m Ω (normal)
 - Working temperature: - 40℃~+125℃
 - Mechanical life:>200 times
 - Insertion force:<75N
 - Waterproof grade: IP67/IPX9 (matching status)
 - With high voltage interlock or not: Yes
 - The product meets the ROHS requirements for environmental protection.



14	Plug back cover	List1	1	
13	Plug end seal	List1	1	
12	Oring φ22*1.5	B04-022-015-00001	1	Shared use XX1019
11	Cable Crimp	X01-P01-H1601-H25	1	
10	Round head cross bolt M2.5*5	X01-M02-005-00001	2	
9	Plug body Xmm	List1	1	
8	Plug inner pressure plate	X01-P01-H1601-003	1	
7	Oring φ16*1	B04-016-001-00001	1	
6	8mm Wiring	List1	1	
5	Protective Cover	X01-P01-H1601-002	1	
4	Oring φ20*1.5	B04-020-015-00001	1	
3	16# Housing	List1	1	
2	16# Oring	X01-P01-H1601-008	1	
1	16# Kits	List1	1	
No	Name	PN	NUM	Backup

General Tolerance	Angle Tolerance
X ±0.5	±1°
.X ±0.2	Unless otherwise specified, dimensions are in metric and tolerances are
.XX ±0.1	
MATL: SEE-NOTES	
CUSTOMER-DRAWING	

POWER DYNAMICS INC.
145 Algonquin Parkway, Whippany, NJ 07981
Phone: 1-973-560-0019 e-mail: sales@powerdynamics.com www.powerdynamics.com

DESIGNER	ZsH	TITLE:	XX108 High Voltage Metal Plug
CHECKED	ZsH	PARTS NO:	X01-P01-H1601-XXX
APPROVAL	Qilin	(UNIT): mm	(SCALE): 1:1 (SHT): 1/1

PN	Key	Color	A±1°	B±1°	C±1°	D±1°
X01-S01-H1601-N01	N	black	U 105°	140°	215°	265°
X01-S01-H1601-W01	W	yellow	142 U	30°	140°	215°
X01-S01-H1601-X01	X	red	3517 U	105°	165°	215°
X01-S01-H1601-Y01	Y	green	2465 U	105°	140°	225°
X01-S01-H1601-Z01	Z	blue	306 U	105°	140°	215°